

GCMC1 1-Pin 200A Connector

Product overview



The main technical parameters:

- Model: GCMC1 series
- Wire cross section: 16/25/35/50mm²;
- Rated current: 200A Max.
- Rated voltage: 1500V DC;
500V DC (HVIL)
- Withstand voltage: 4000VAC/6000VDC;
500VAC (HVIL)
- Temperature rating: -40°C~+125°C (Including temperature rise)
- Insulation resistance: 2GΩ;
550MΩ (HVIL)
- Protection level: IP68 & IP6K9K (IP68: 1m Water 48H)
IPXXB & IPXXD
- Fire-proof level: UL94 V-0
- Mating cycles: 100 Min.
- Shielding: 360° shielding
- HVIL: available
- Secondary-locking: yes
- Plug type: straight, 90°
- Keys: X/Y/U/V/W (200A);
- Mating plug: GCMC1-18-201 / GCMC1-28-201



MODEL NUMBER DESIGNATION



200A Plug

Series name	GCMC1	GCMC1	18	X	-	201	-	50
Connector Type	18/19: Straight connector with shield; 28/29: 90° connector with shield; 48/49: Straight connector without shield; 58/59: 90° connector without shield;							
Key & Color	X, orange (X/Y/U/V/W/T)							
Separator	-							
200A Series	200: Without HVIL; 201: Wth HVIL							
Separator	-							
Adaptable cable	50mm ² ; See the list of applicable cables for other product specifications							

Note: 18, 28, 48, 58 represent plugs that are compatible with sockets in the direction of horizontal copper bars; 19, 29, 49, 59 represent plugs that are compatible with sockets in the direction of vertical copper bars

180° Plug Ordering Information

GCMC1 - 18X - 201 - 16 - Y01

Keyway:
X orange
Y black
U yellow
Y green
W red

HVIL Function:
0 NO
1 YES

Cable cross section:
16=16mm²
25=25mm²
35=35mm²
50=50mm²

Salt spray:
Default: 96H
Y01: 336H
Y02: 480H

90° Plug Ordering Information

GCMC1 - 28X - 201 - 16 - Y01

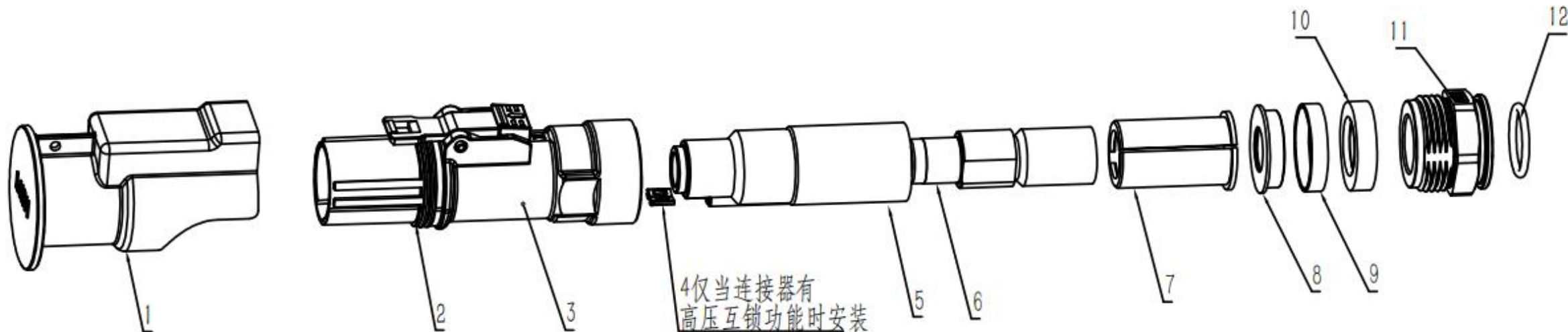
Keyway:
X orange
Y black
U yellow
Y green
W red

HVIL Function:
0 NO
1 YES

Cable cross section:
16=16mm²
25=25mm²
35=35mm²
50=50mm²

Salt spray:
Default: 96H
Y01: 336H
Y02: 480H

180° PLUG COMPONENTS & MATERIALS



S/N	COMPONENT NAME	MATERIAL	QTY
1	Dust cover	PP	1
2	Sealing ring	FKM	1
3	Plug housing	Zinc alloy	1
4	High voltage interlocking shrapnel	Beryllium copper	1
5	Plastic core	PBT	1
6	Terminal	Copper	1
7	Insulating shell	PBT	1
8	Shielding ring 1	Aluminum alloy	1
9	Shielding ring 2	Aluminum alloy	1
10	Sealing plug	Silicone rubber	1
11	Spiral tail cap	Zinc alloy	1
12	O-ring	Silicone rubber	1

180° PLUG PART NUMBER



180° Plug Without HVIL

Part No.	Product Description	Part No.	Product Description
GCMC1-18X-200-16	200A, 180° plug, 16mm ² , shielded, X key	GCMC1-18X-200-35	200A, 180° plug, 35mm ² , shielded, X key
GCMC1-18Y-200-16	200A, 180° plug, 16mm ² , shielded, Y key	GCMC1-18Y-200-35	200A, 180° plug, 35mm ² , shielded, Y key
GCMC1-18U-200-16	200A, 180° plug, 16mm ² , shielded, U key	GCMC1-18U-200-35	200A, 180° plug, 35mm ² , shielded, U key
GCMC1-18V-200-16	200A, 180° plug, 16mm ² , shielded, V key	GCMC1-18V-200-35	200A, 180° plug, 35mm ² , shielded, V key
GCMC1-18W-200-16	200A, 180° plug, 16mm ² , shielded, W key	GCMC1-18W-200-35	200A, 180° plug, 35mm ² , shielded, W key
GCMC1-18X-200-25	200A, 180° plug, 25mm ² , shielded, X key	GCMC1-18X-200-50	200A, 180° plug, 50mm ² , shielded, X key
GCMC1-18Y-200-25	200A, 180° plug, 25mm ² , shielded, Y key	GCMC1-18Y-200-50	200A, 180° plug, 50mm ² , shielded, Y key
GCMC1-18U-200-25	200A, 180° plug, 25mm ² , shielded, U key	GCMC1-18U-200-50	200A, 180° plug, 50mm ² , shielded, U key
GCMC1-18V-200-25	200A, 180° plug, 25mm ² , shielded, V key	GCMC1-18V-200-50	200A, 180° plug, 50mm ² , shielded, V key
GCMC1-18W-200-25	200A, 180° plug, 25mm ² , shielded, W key	GCMC1-18W-200-50	200A, 180° plug, 50mm ² , shielded, W key

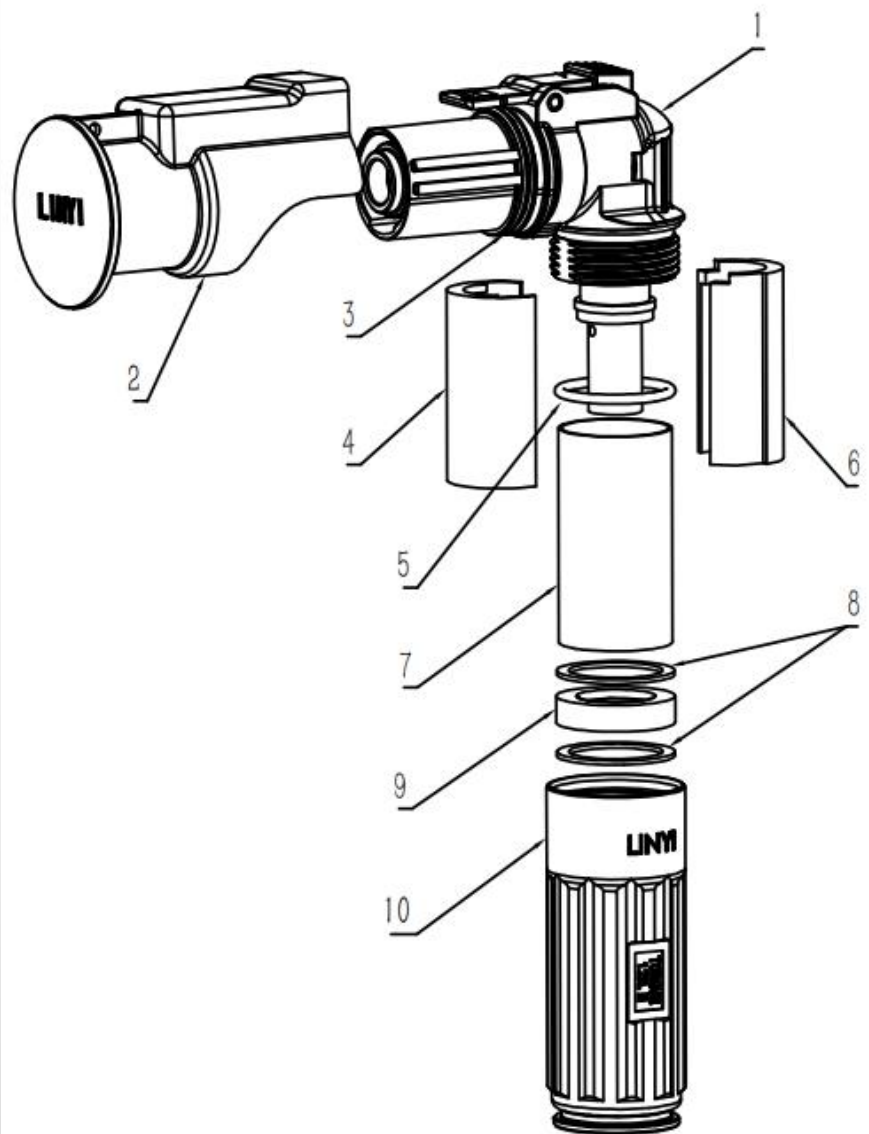
180° PLUG PART NUMBER



180° Plug With HVIL

Part No.	Product Description	Part No.	Product Description
GCMC1-18X-201-16	200A, 180° plug, 16mm ² , shielded, X key, with HVIL	GCMC1-18X-201-35	200A, 180° plug, 35mm ² , shielded, X key, with HVIL
GCMC1-18Y-201-16	200A, 180° plug, 16mm ² , shielded, Y key, with HVIL	GCMC1-18Y-201-35	200A, 180° plug, 35mm ² , shielded, Y key, with HVIL
GCMC1-18U-201-16	200A, 180° plug, 16mm ² , shielded, U key, with HVIL	GCMC1-18U-201-35	200A, 180° plug, 35mm ² , shielded, U key, with HVIL
GCMC1-18V-201-16	200A, 180° plug, 16mm ² , shielded, V key, with HVIL	GCMC1-18V-201-35	200A, 180° plug, 35mm ² , shielded, V key, with HVIL
GCMC1-18W-201-16	200A, 180° plug, 16mm ² , shielded, W key, with HVIL	GCMC1-18W-201-35	200A, 180° plug, 35mm ² , shielded, W key, with HVIL
GCMC1-18X-201-25	200A, 180° plug, 25mm ² , shielded, X key, with HVIL	GCMC1-18X-201-50	200A, 180° plug, 50mm ² , shielded, X key, with HVIL
GCMC1-18Y-201-25	200A, 180° plug, 25mm ² , shielded, Y key, with HVIL	GCMC1-18Y-201-50	200A, 180° plug, 50mm ² , shielded, Y key, with HVIL
GCMC1-18U-201-25	200A, 180° plug, 25mm ² , shielded, U key, with HVIL	GCMC1-18U-201-50	200A, 180° plug, 50mm ² , shielded, U key, with HVIL
GCMC1-18V-201-25	200A, 180° plug, 25mm ² , shielded, V key, with HVIL	GCMC1-18V-201-50	200A, 180° plug, 50mm ² , shielded, V key, with HVIL
GCMC1-18W-201-25	200A, 180° plug, 25mm ² , shielded, W key, with HVIL	GCMC1-18W-201-50	200A, 180° plug, 50mm ² , shielded, W key, with HVIL

90° PLUG COMPONENTS & MATERIALS



S/N	COMPONENT NAME	MATERIAL	QTY
1	90° plug body	/	1
2	Dust cover	PP	1
3	Sealing ring	Fluororubber	1
4	Insulating shell 1	PBT	1
5	O ring	Fluororubber	1
6	Insulating shell 2	PBT	1
7	Sleeve	Aluminum alloy	1
8	Gasket	Stainless steel	2
9	Sealing plug	Silicone rubber	1
10	Plug tail cover	Zinc alloy	1



90° PLUG PART NUMBER



90° Plug Without HVIL

Part No.	Product Description	Part No.	Product Description
GCMC1-28X-200-16	200A, 90° plug, 16mm ² , shielded, X key	GCMC1-28X-200-35	200A, 90° plug, 35mm ² , shielded, X key
GCMC1-28Y-200-16	200A, 90° plug, 16mm ² , shielded, Y key	GCMC1-28Y-200-35	200A, 90° plug, 35mm ² , shielded, Y key
GCMC1-28U-200-16	200A, 90° plug, 16mm ² , shielded, U key	GCMC1-28U-200-35	200A, 90° plug, 35mm ² , shielded, U key
GCMC1-28V-200-16	200A, 90° plug, 16mm ² , shielded, V key	GCMC1-28V-200-35	200A, 90° plug, 35mm ² , shielded, V key
GCMC1-28W-200-16	200A, 90° plug, 16mm ² , shielded, W key	GCMC1-28W-200-35	200A, 90° plug, 35mm ² , shielded, W key
GCMC1-28X-200-25	200A, 90° plug, 25mm ² , shielded, X key	GCMC1-28X-200-50	200A, 90° plug, 50mm ² , shielded, X key
GCMC1-28Y-200-25	200A, 90° plug, 25mm ² , shielded, Y key	GCMC1-28Y-200-50	200A, 90° plug, 50mm ² , shielded, Y key
GCMC1-28U-200-25	200A, 90° plug, 25mm ² , shielded, U key	GCMC1-28U-200-50	200A, 90° plug, 50mm ² , shielded, U key
GCMC1-28V-200-25	200A, 90° plug, 25mm ² , shielded, V key	GCMC1-28V-200-50	200A, 90° plug, 50mm ² , shielded, V key
GCMC1-28W-200-25	200A, 90° plug, 25mm ² , shielded, W key	GCMC1-28W-200-50	200A, 90° plug, 50mm ² , shielded, W key



90° PLUG PART NUMBER



90° Plug With HVIL

Part No.	Product Description	Part No.	Product Description
GCMC1-28X-201-16	200A, 90° plug, 16mm ² , shielded, X key, with HVIL	GCMC1-28X-201-35	200A, 90° plug, 35mm ² , shielded, X key, with HVIL
GCMC1-28Y-201-16	200A, 90° plug, 16mm ² , shielded, Y key, with HVIL	GCMC1-28Y-201-35	200A, 90° plug, 35mm ² , shielded, Y key, with HVIL
GCMC1-28U-201-16	200A, 90° plug, 16mm ² , shielded, U key, with HVIL	GCMC1-28U-201-35	200A, 90° plug, 35mm ² , shielded, U key, with HVIL
GCMC1-28V-201-16	200A, 90° plug, 16mm ² , shielded, V key, with HVIL	GCMC1-28V-201-35	200A, 90° plug, 35mm ² , shielded, V key, with HVIL
GCMC1-28W-201-16	200A, 90° plug, 16mm ² , shielded, W key, with HVIL	GCMC1-28W-201-35	200A, 90° plug, 35mm ² , shielded, W key, with HVIL
GCMC1-28X-201-25	200A, 90° plug, 25mm ² , shielded, X key, with HVIL	GCMC1-28X-201-50	200A, 90° plug, 50mm ² , shielded, X key, with HVIL
GCMC1-28Y-201-25	200A, 90° plug, 25mm ² , shielded, Y key, with HVIL	GCMC1-28Y-201-50	200A, 90° plug, 50mm ² , shielded, Y key, with HVIL
GCMC1-28U-201-25	200A, 90° plug, 25mm ² , shielded, U key, with HVIL	GCMC1-28U-201-50	200A, 90° plug, 50mm ² , shielded, U key, with HVIL
GCMC1-28V-201-25	200A, 90° plug, 25mm ² , shielded, V key, with HVIL	GCMC1-28V-201-50	200A, 90° plug, 50mm ² , shielded, V key, with HVIL
GCMC1-28W-201-25	200A, 90° plug, 25mm ² , shielded, W key, with HVIL	GCMC1-28W-201-50	200A, 90° plug, 50mm ² , shielded, W key, with HVIL

MODEL NUMBER DESIGNATION



200A Socket

Series name	GCMC1	GCMC1	00	X	-	201	-	10	M10
Connector Type	Single core socket								
Key & Color	X, orange (X/Y/U/V/W)								
Separator	-								
200A Series	200: Without HVIL; 201: Wth HVIL								
Separator	-								
Copper busbar direction	10: horizontal;								
Screw Size	Threaded hole, M10 (M: threaded hole; D:through hole;)								

Note: Add "T" at the end to indicate that it has a temperature detection function

Ordering Information

GCMC1 - 00X - 201 - 10 D 8 - Y01

Keyway:
X orange
Y black
U yellow
V green
W red

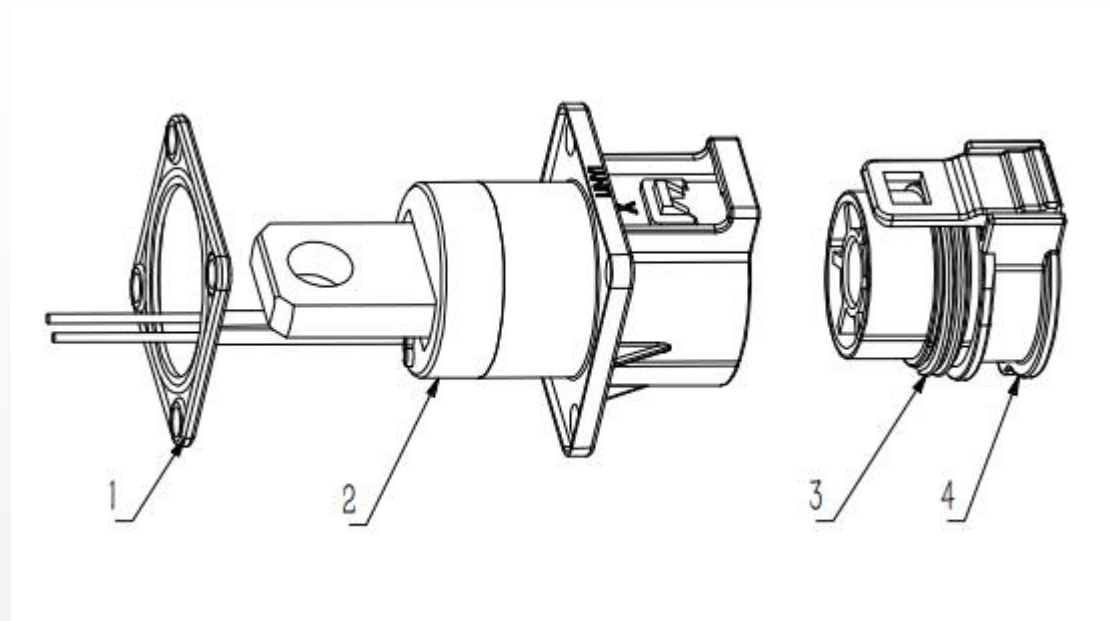
HVIL Function:
0 NO
1 YES

D: through hole
M: threaded hole
H: waist-shaped hole

6=M6 bolt
8=M8 bolt

Salt spray:
Default: 96H
Y01: 336H
Y02: 480H

SOCKET COMPONENTS & MATERIALS



S/N	COMPONENT NAME	MATERIAL	QTY
1	Gasket	Fluororubber	1
2	1-Pin socket body	/	1
3	Sealing ring	Silicone rubber	1
4	Dust cover	PP	1



SOCKET PART NUMBER



Socket With HVIL

Part No.	Product Description	Part No.	Product Description
GCMC1-00X-201-10D6	200A, 1-Pin socket, with HVIL, X key, Copper Busbar D6	GCMC1-00X-201-10M8	200A, 1-Pin socket, with HVIL, X key, Copper Busbar M8
GCMC1-00Y-201-10D6	200A, 1-Pin socket, with HVIL, Y key, Copper Busbar D6	GCMC1-00Y-201-10M8	200A, 1-Pin socket, with HVIL, Y key, Copper Busbar M8
GCMC1-00U-201-10D6	200A, 1-Pin socket, with HVIL, U key, Copper Busbar D6	GCMC1-00U-201-10M8	200A, 1-Pin socket, with HVIL, U key, Copper Busbar M8
GCMC1-00V-201-10D6	200A, 1-Pin socket, with HVIL, V key, Copper Busbar D6	GCMC1-00V-201-10M8	200A, 1-Pin socket, with HVIL, V key, Copper Busbar M8
GCMC1-00W-201-10D6	200A, 1-Pin socket, with HVIL, W key, Copper Busbar D6	GCMC1-00W-201-10M8	200A, 1-Pin socket, with HVIL, W key, Copper Busbar M8
GCMC1-00X-201-10D8	200A, 1-Pin socket, with HVIL, X key, Copper Busbar D8	GCMC1-00X-201-10H6	200A, 1-Pin socket, with HVIL, X key, Copper Busbar H6
GCMC1-00Y-201-10D8	200A, 1-Pin socket, with HVIL, Y key, Copper Busbar D8	GCMC1-00Y-201-10H6	200A, 1-Pin socket, with HVIL, Y key, Copper Busbar H6
GCMC1-00U-201-10D8	200A, 1-Pin socket, with HVIL, U key, Copper Busbar D8	GCMC1-00U-201-10H6	200A, 1-Pin socket, with HVIL, U key, Copper Busbar H6
GCMC1-00V-201-10D8	200A, 1-Pin socket, with HVIL, V key, Copper Busbar D8	GCMC1-00V-201-10H6	200A, 1-Pin socket, with HVIL, V key, Copper Busbar H6
GCMC1-00W-201-10D8	200A, 1-Pin socket, with HVIL, W key, Copper Busbar D8	GCMC1-00W-201-10H6	200A, 1-Pin socket, with HVIL, W key, Copper Busbar H6
GCMC1-00X-201-10M6	200A, 1-Pin socket, with HVIL, X key, Copper Busbar M6	GCMC1-00X-201-10H8	200A, 1-Pin socket, with HVIL, X key, Copper Busbar H8
GCMC1-00Y-201-10M6	200A, 1-Pin socket, with HVIL, Y key, Copper Busbar M6	GCMC1-00Y-201-10H8	200A, 1-Pin socket, with HVIL, Y key, Copper Busbar H8
GCMC1-00U-201-10M6	200A, 1-Pin socket, with HVIL, U key, Copper Busbar M6	GCMC1-00U-201-10H8	200A, 1-Pin socket, with HVIL, U key, Copper Busbar H8
GCMC1-00V-201-10M6	200A, 1-Pin socket, with HVIL, V key, Copper Busbar M6	GCMC1-00V-201-10H8	200A, 1-Pin socket, with HVIL, V key, Copper Busbar H8
GCMC1-00W-201-10M6	200A, 1-Pin socket, with HVIL, W key, Copper Busbar M6	GCMC1-00W-201-10H8	200A, 1-Pin socket, with HVIL, W key, Copper Busbar H8



SOCKET PART NUMBER



Socket Without HVIL

Part No.	Product Description	Part No.	Product Description
GCMC1-00X-200-10D6	200A, 1-Pin socket, X key, Copper Busbar D6	GCMC1-00X-200-10M8	200A, 1-Pin socket, X key, Copper Busbar M8
GCMC1-00Y-200-10D6	200A, 1-Pin socket, Y key, Copper Busbar D6	GCMC1-00Y-200-10M8	200A, 1-Pin socket, Y key, Copper Busbar M8
GCMC1-00U-200-10D6	200A, 1-Pin socket, U key, Copper Busbar D6	GCMC1-00U-200-10M8	200A, 1-Pin socket, U key, Copper Busbar M8
GCMC1-00V-200-10D6	200A, 1-Pin socket, V key, Copper Busbar D6	GCMC1-00V-200-10M8	200A, 1-Pin socket, V key, Copper Busbar M8
GCMC1-00W-200-10D6	200A, 1-Pin socket, W key, Copper Busbar D6	GCMC1-00W-200-10M8	200A, 1-Pin socket, W key, Copper Busbar M8
GCMC1-00X-200-10D8	200A, 1-Pin socket, X key, Copper Busbar D8	GCMC1-00X-200-10H6	200A, 1-Pin socket, X key, Copper Busbar H6
GCMC1-00Y-200-10D8	200A, 1-Pin socket, Y key, Copper Busbar D8	GCMC1-00Y-200-10H6	200A, 1-Pin socket, Y key, Copper Busbar H6
GCMC1-00U-200-10D8	200A, 1-Pin socket, U key, Copper Busbar D8	GCMC1-00U-200-10H6	200A, 1-Pin socket, U key, Copper Busbar H6
GCMC1-00V-200-10D8	200A, 1-Pin socket, V key, Copper Busbar D8	GCMC1-00V-200-10H6	200A, 1-Pin socket, V key, Copper Busbar H6
GCMC1-00W-200-10D8	200A, 1-Pin socket, W key, Copper Busbar D8	GCMC1-00W-200-10H6	200A, 1-Pin socket, W key, Copper Busbar H6
GCMC1-00X-200-10M6	200A, 1-Pin socket, X key, Copper Busbar M6	GCMC1-00X-200-10H8	200A, 1-Pin socket, X key, Copper Busbar H8
GCMC1-00Y-200-10M6	200A, 1-Pin socket, Y key, Copper Busbar M6	GCMC1-00Y-200-10H8	200A, 1-Pin socket, Y key, Copper Busbar H8
GCMC1-00U-200-10M6	200A, 1-Pin socket, U key, Copper Busbar M6	GCMC1-00U-200-10H8	200A, 1-Pin socket, U key, Copper Busbar H8
GCMC1-00V-200-10M6	200A, 1-Pin socket, V key, Copper Busbar M6	GCMC1-00V-200-10H8	200A, 1-Pin socket, V key, Copper Busbar H8
GCMC1-00W-200-10M6	200A, 1-Pin socket, W key, Copper Busbar M6	GCMC1-00W-200-10H8	200A, 1-Pin socket, W key, Copper Busbar H8



Custom Solution Provider

Address:

2A, Building 2, Hongji Xindu, Guanxing East Road, Longhua District,
Shenzhen, China

Email Address:

ec@guchen.com

Website: www.guchen-connector.com